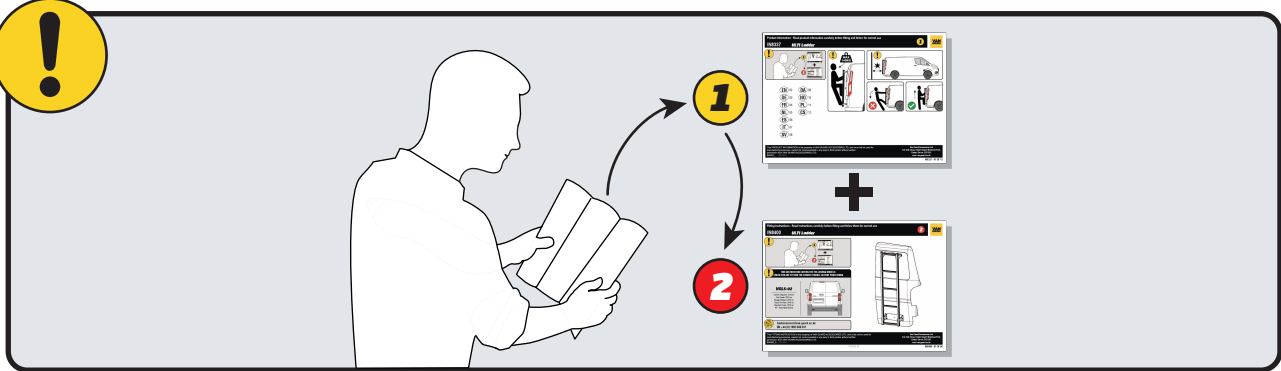


# IN8416

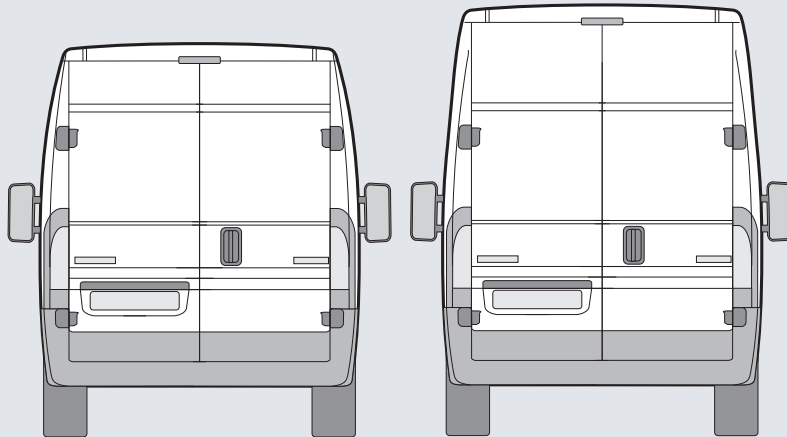
## ULTI Ladder



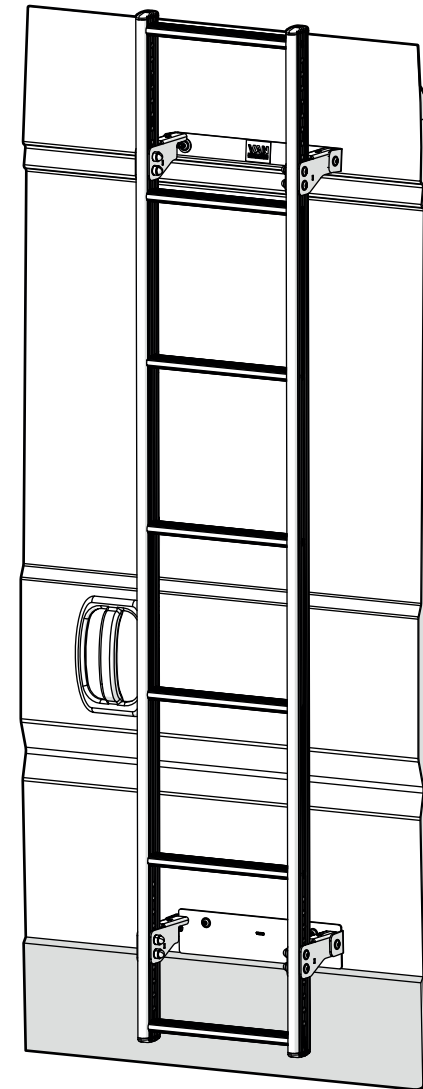
**THIS INSTRUCTION COVERS THE FOLLOWING MODELS  
CHECK YOU ARE FITTING THE CORRECT MODEL BEFORE PROCEEDING**

### VGL7-05

Citroen Relay: 2006 on  
Fiat Ducato: 2006 on  
Peugeot Boxer: 2006 on  
Vauxhall Movano: 2022 on  
H2 / H3 - Twin Rear Doors



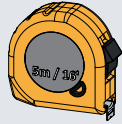
 **Customercare@van-guard.co.uk**  
**UK +44 (0) 1392 368 351**



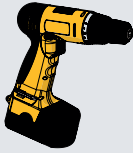
**SUPPLIED COMPONENTS - CHECK ALL PARTS ARE PRESENT AND CORRECT BEFORE PROCEEDING**

**TOOLS REQUIRED**

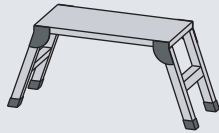
**13MM X1**



**4MM X1**



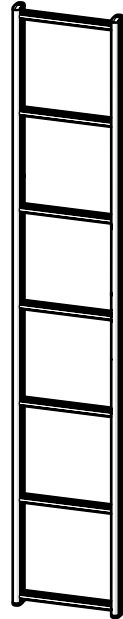
**9MM X1**



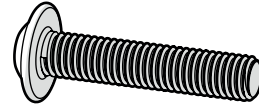
**X1**



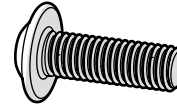
**AS3594 X1**



**FX4249 X8**  
(M8X40)



**FX4250 X10**  
(M8X25)



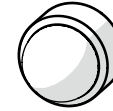
**ME1944 X1**



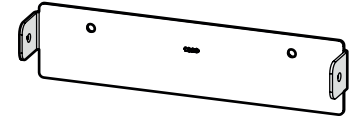
**FX4240 X18**  
(M8)



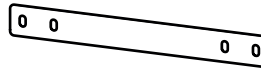
**FX4241 X8**



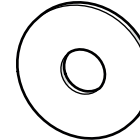
**ME1909 X1**



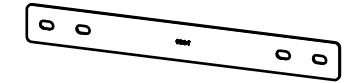
**MA6200 X3**



**FX4252 X2**



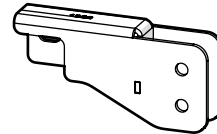
**ME1901 X1**



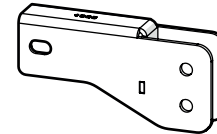
**FX4008 X1**



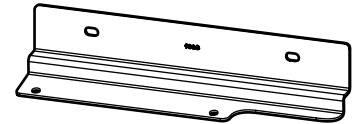
**ME1906 X2**



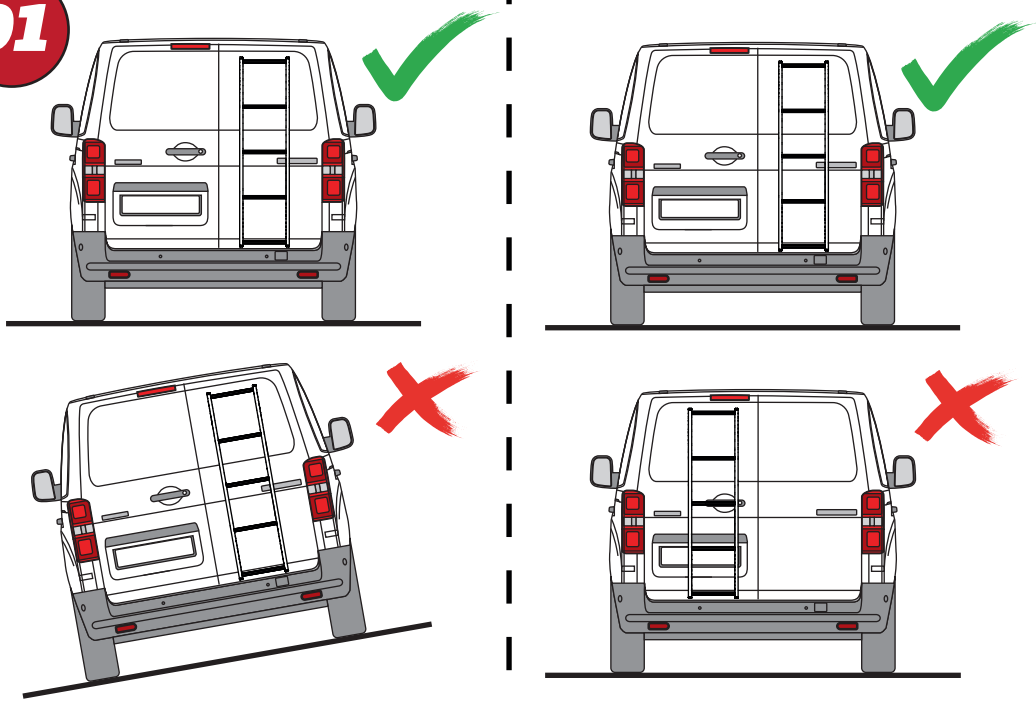
**ME1905 X2**



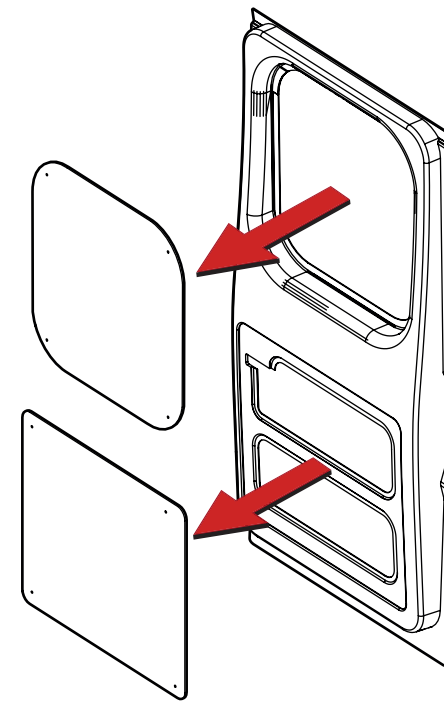
**ME1908 X1**



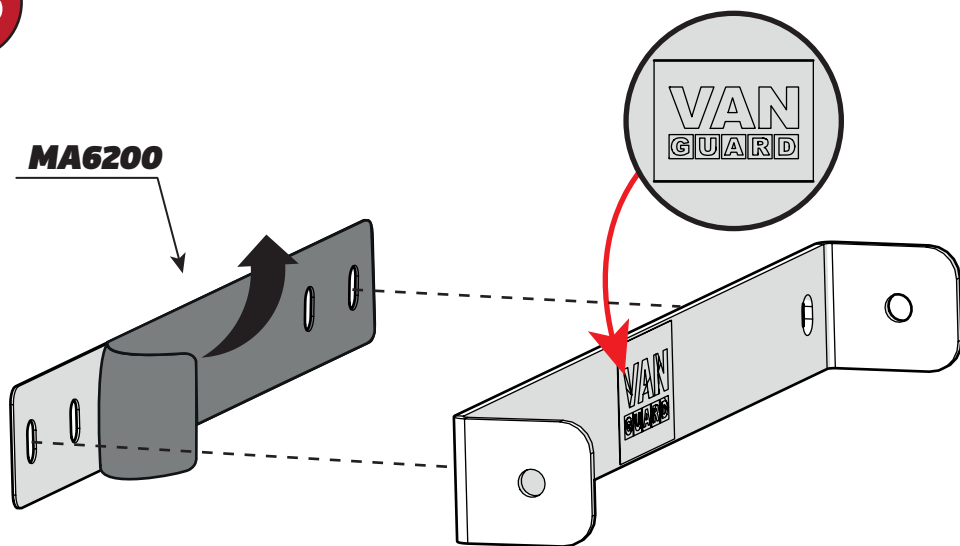
01



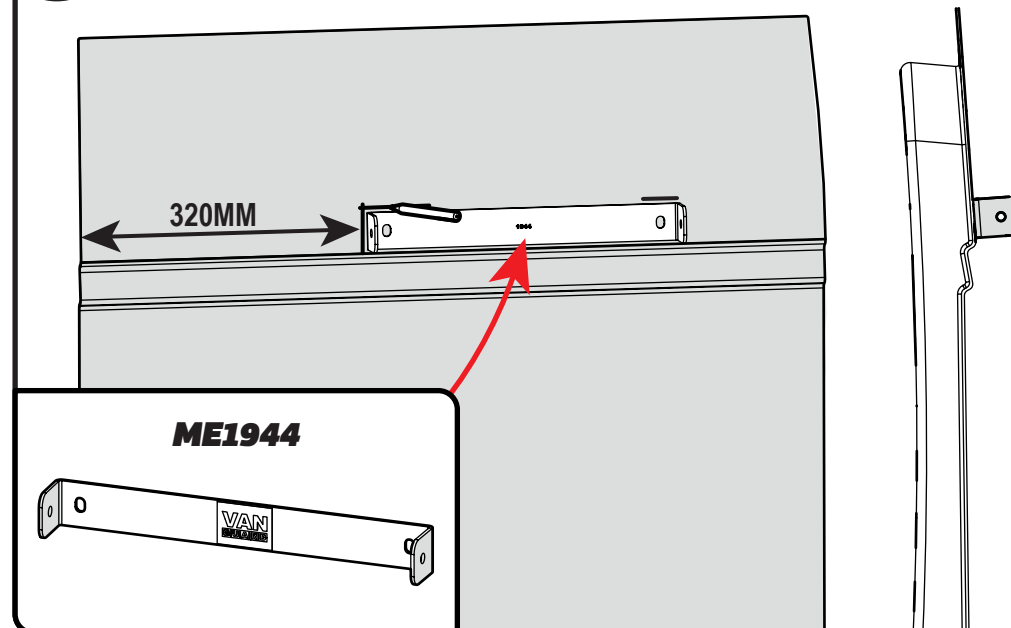
02



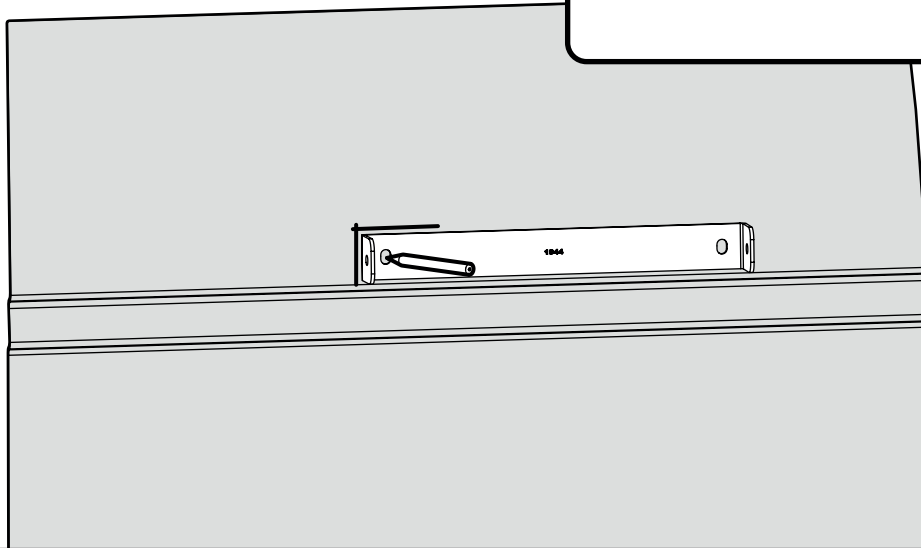
03



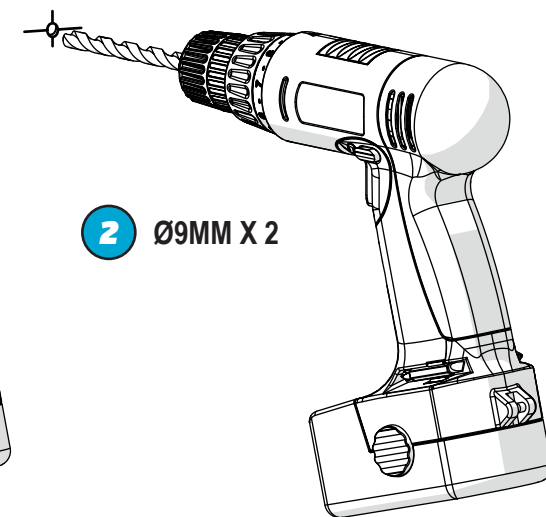
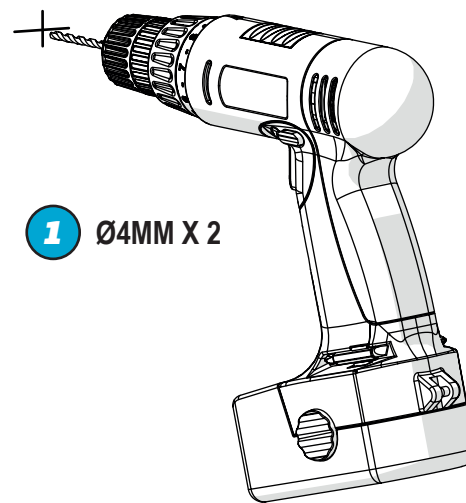
04



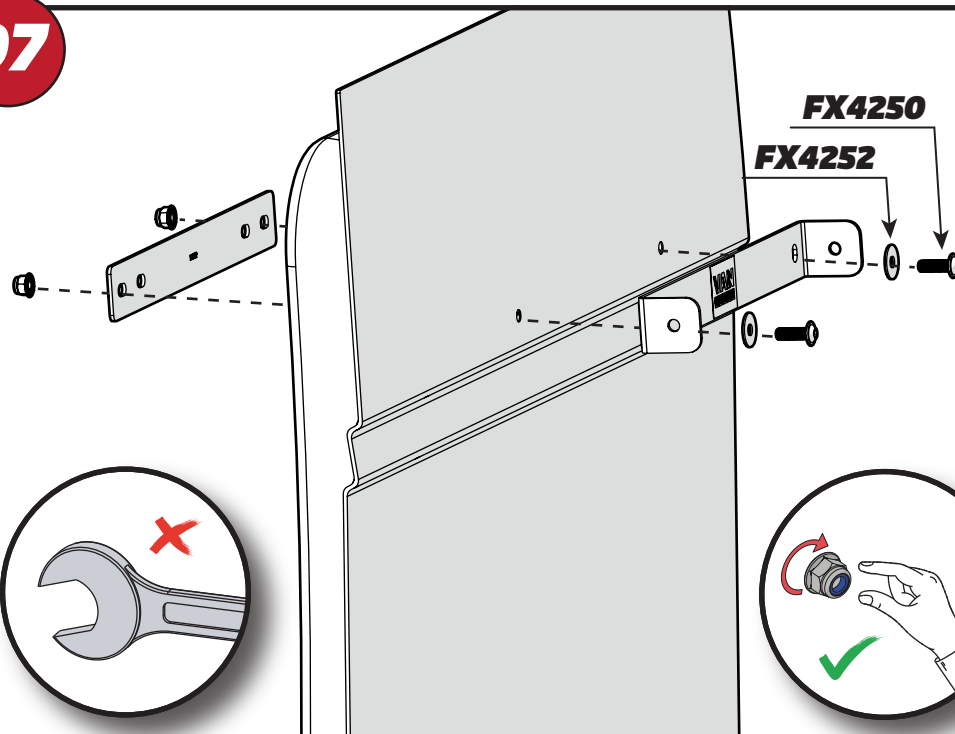
05



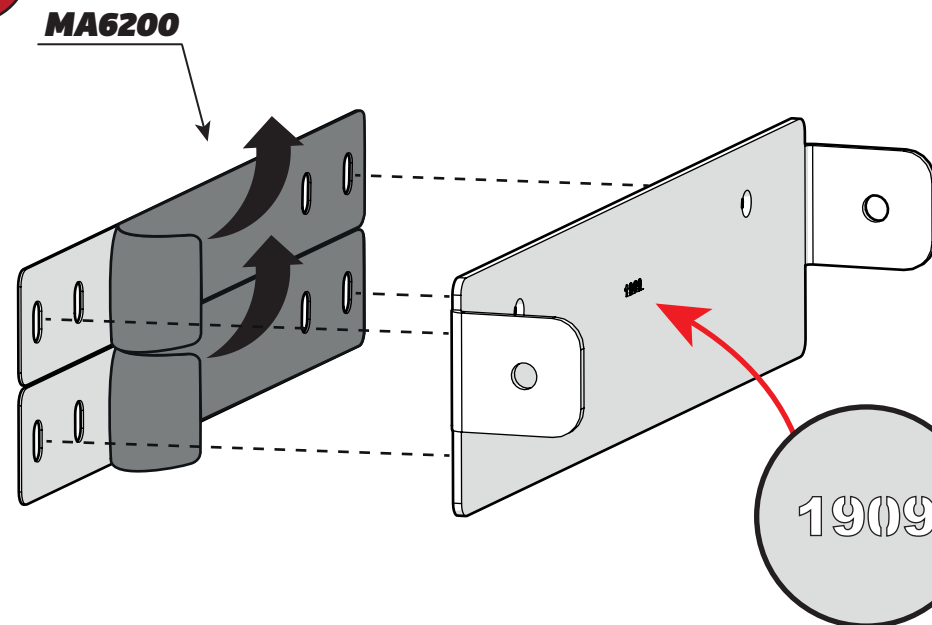
06



07

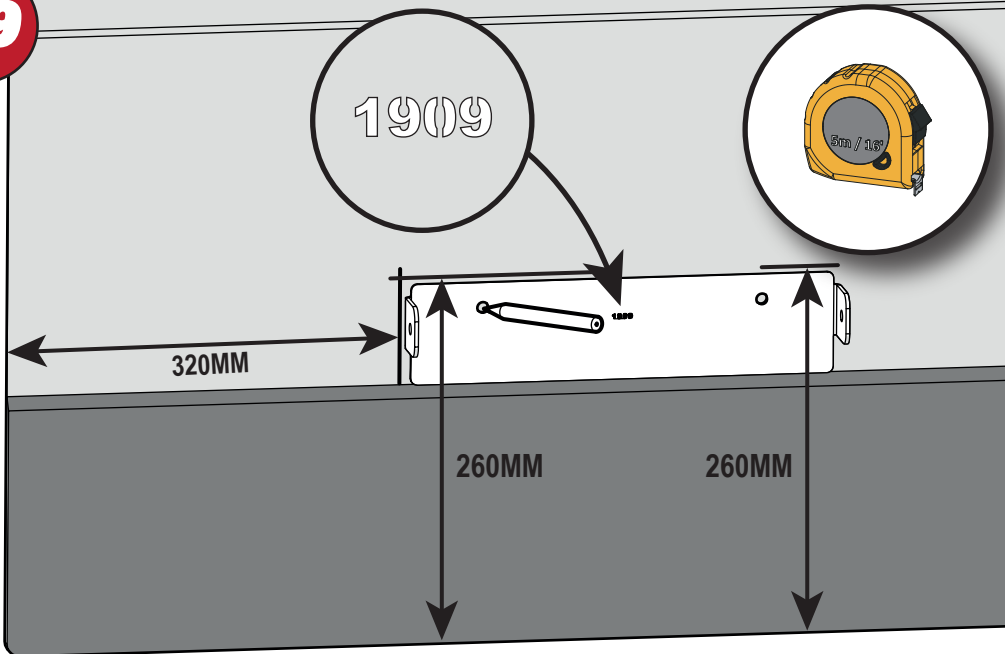


08

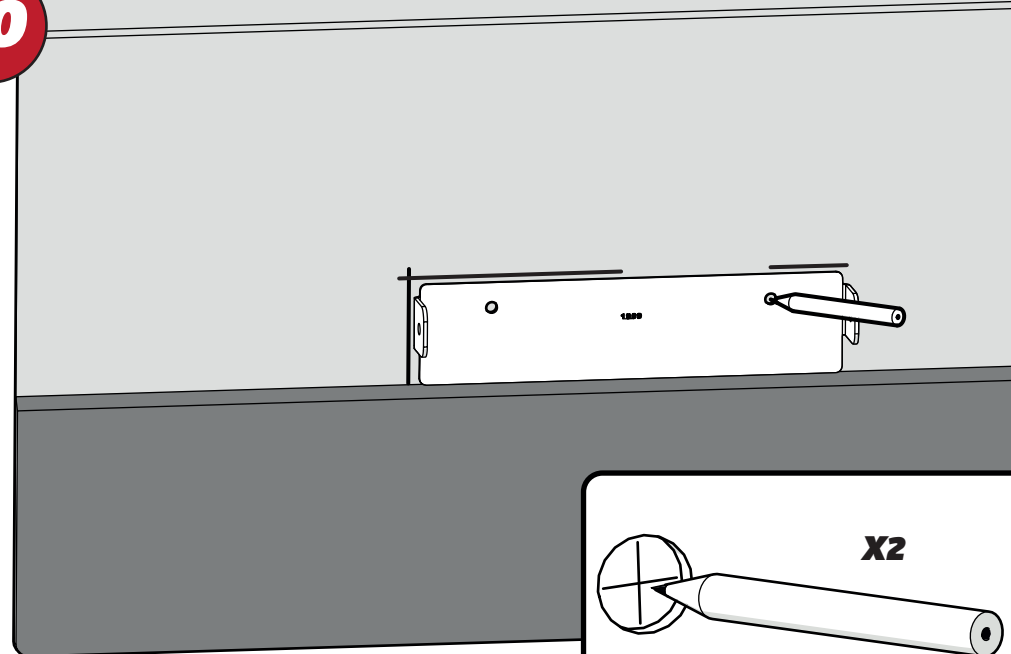




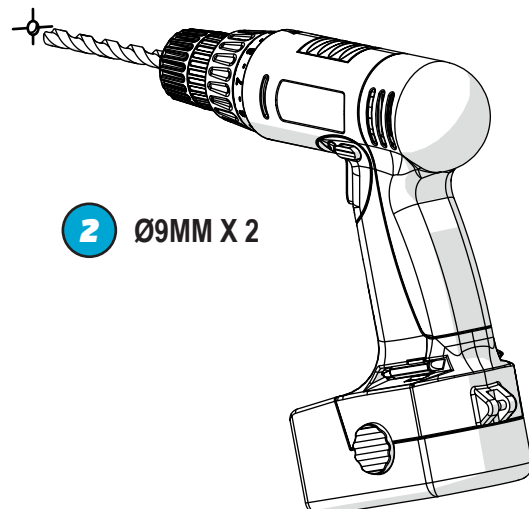
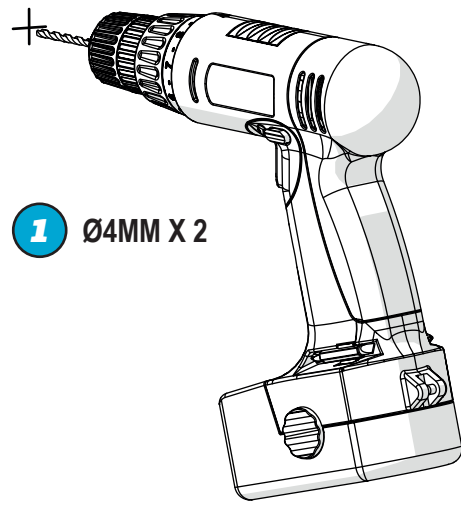
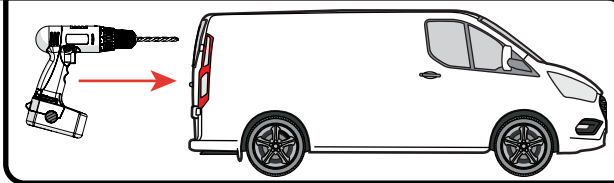
09



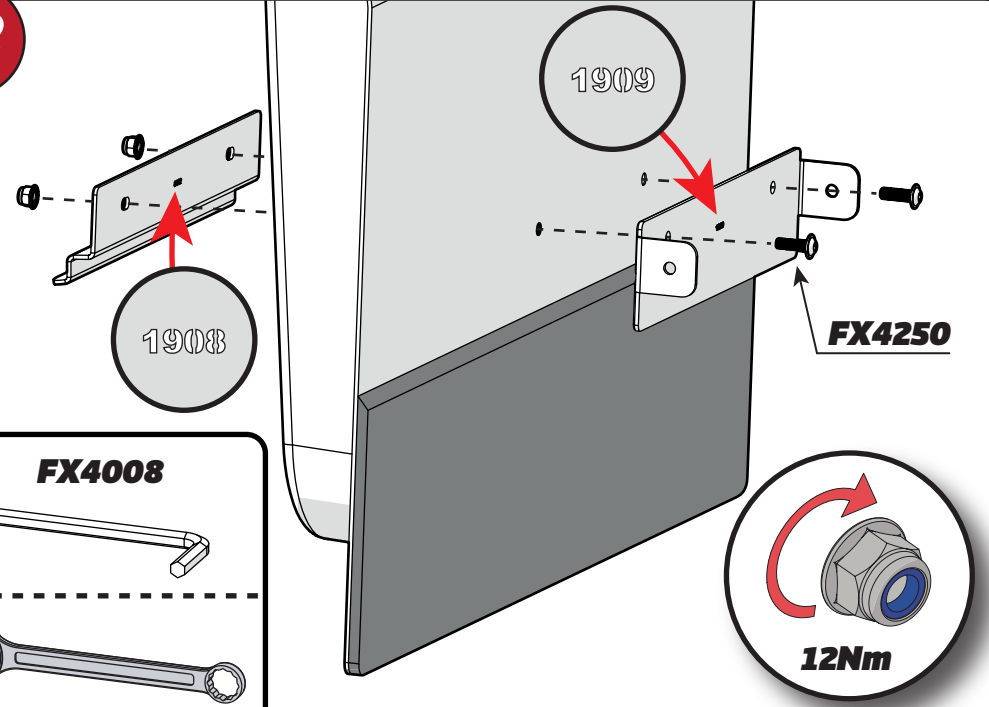
10



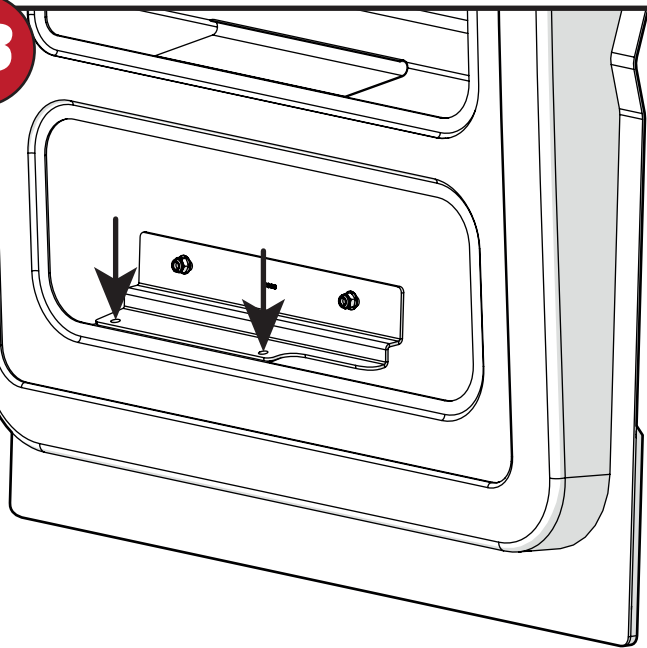
11



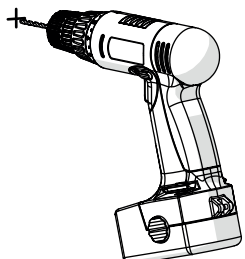
12



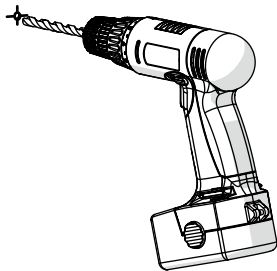
13



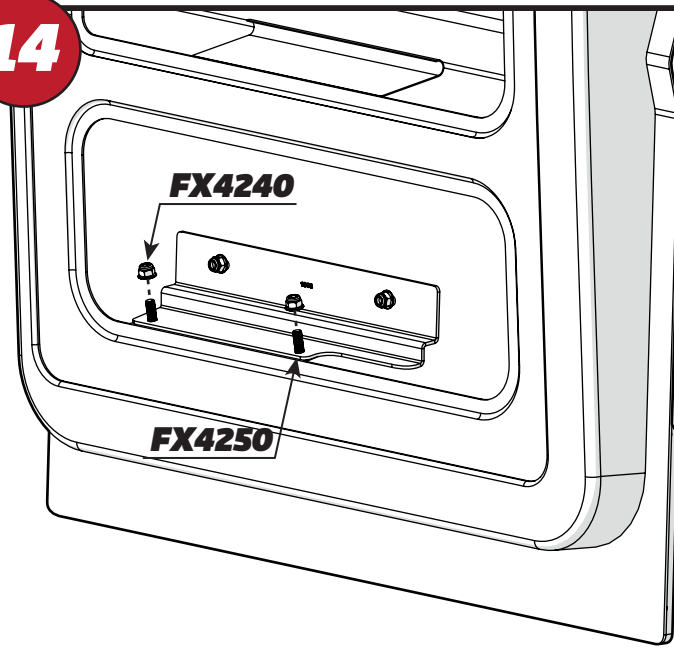
1 Ø4MM X 2



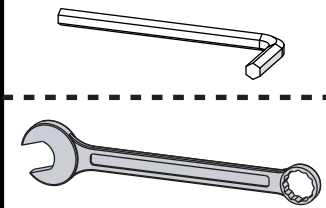
2 Ø9MM X 2



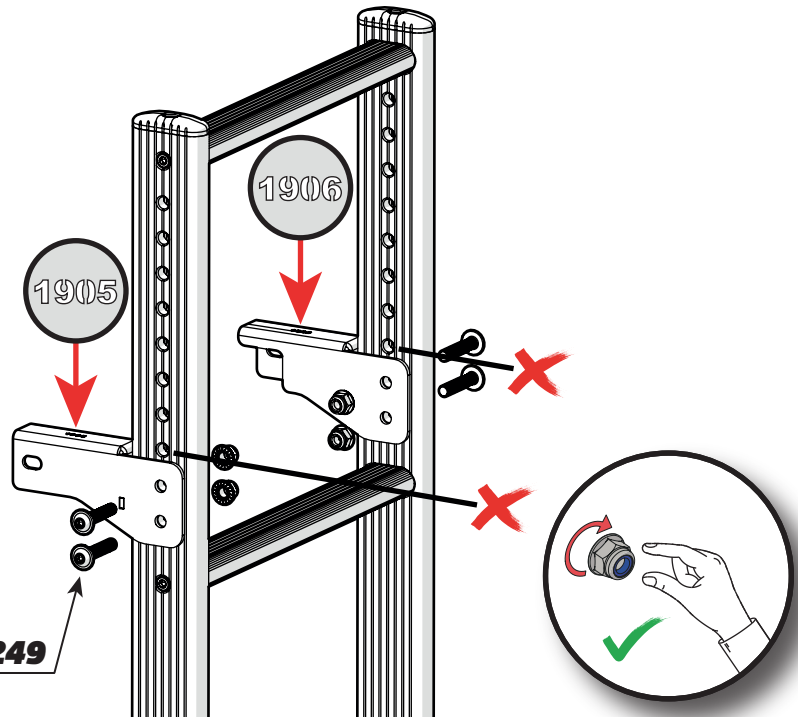
14



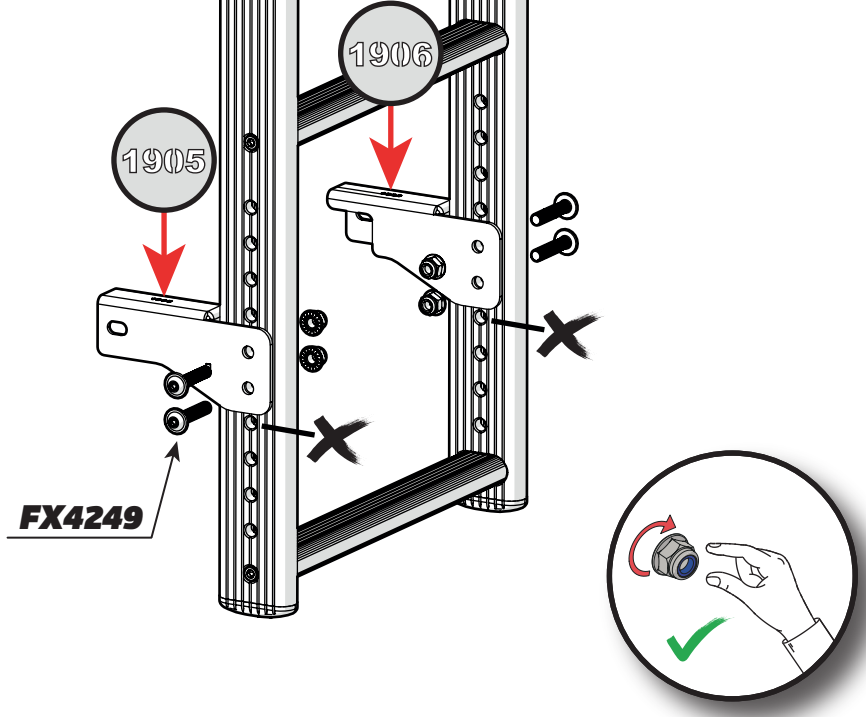
FX4008



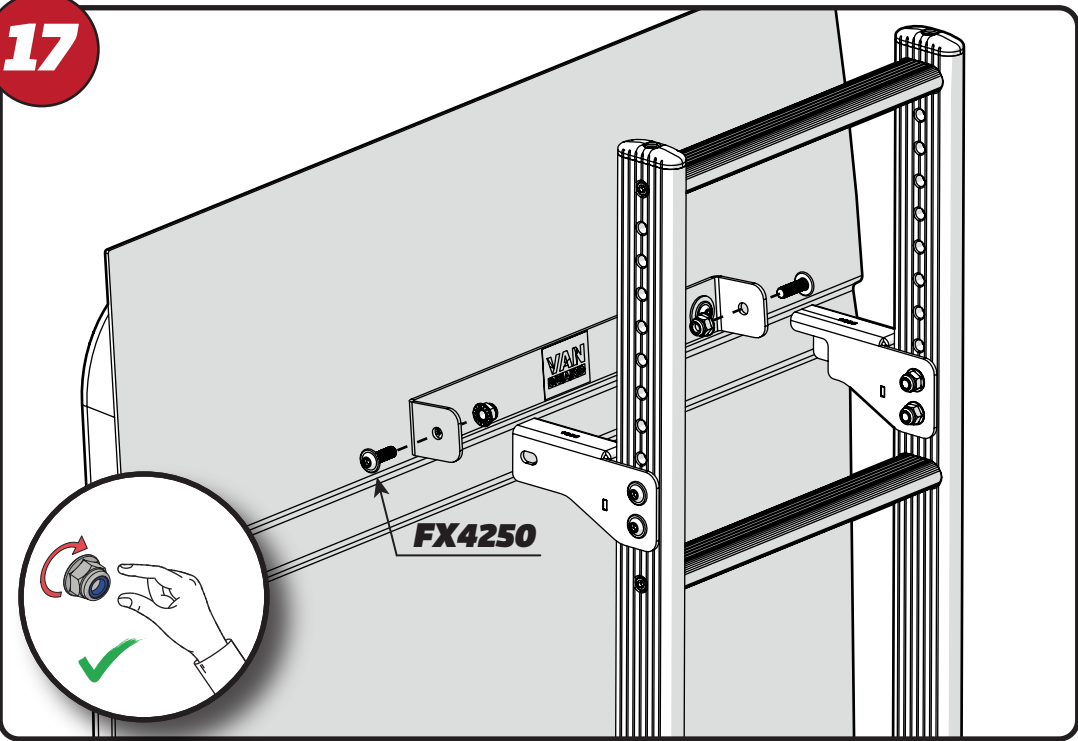
15



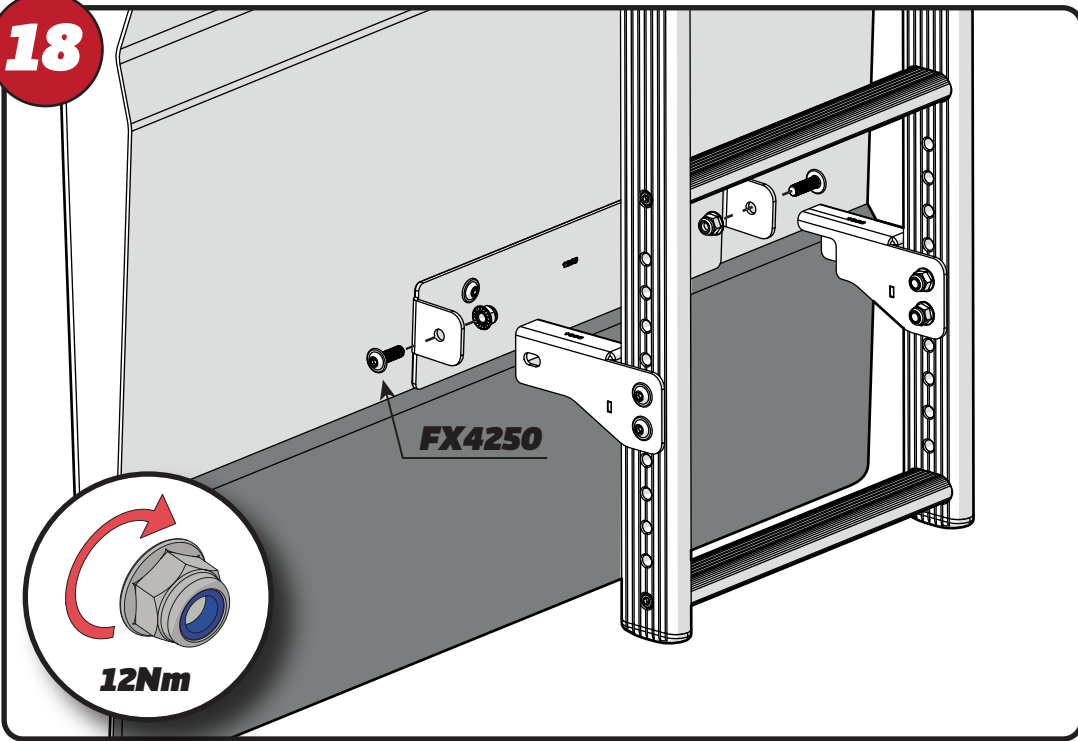
16



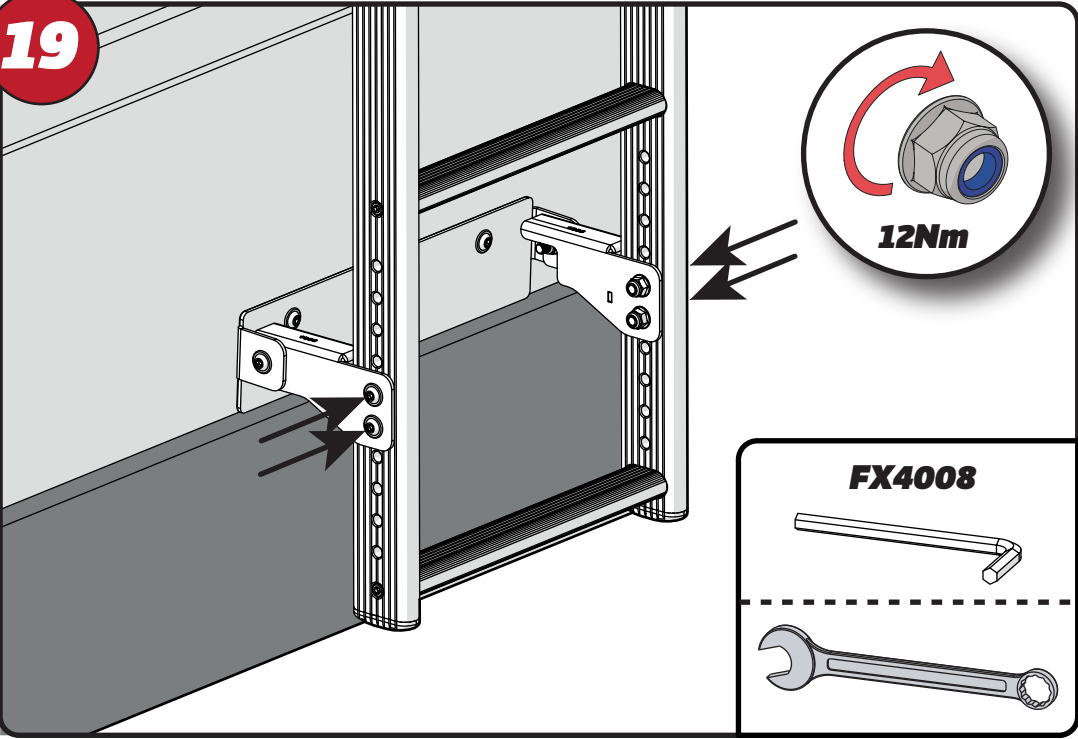
17



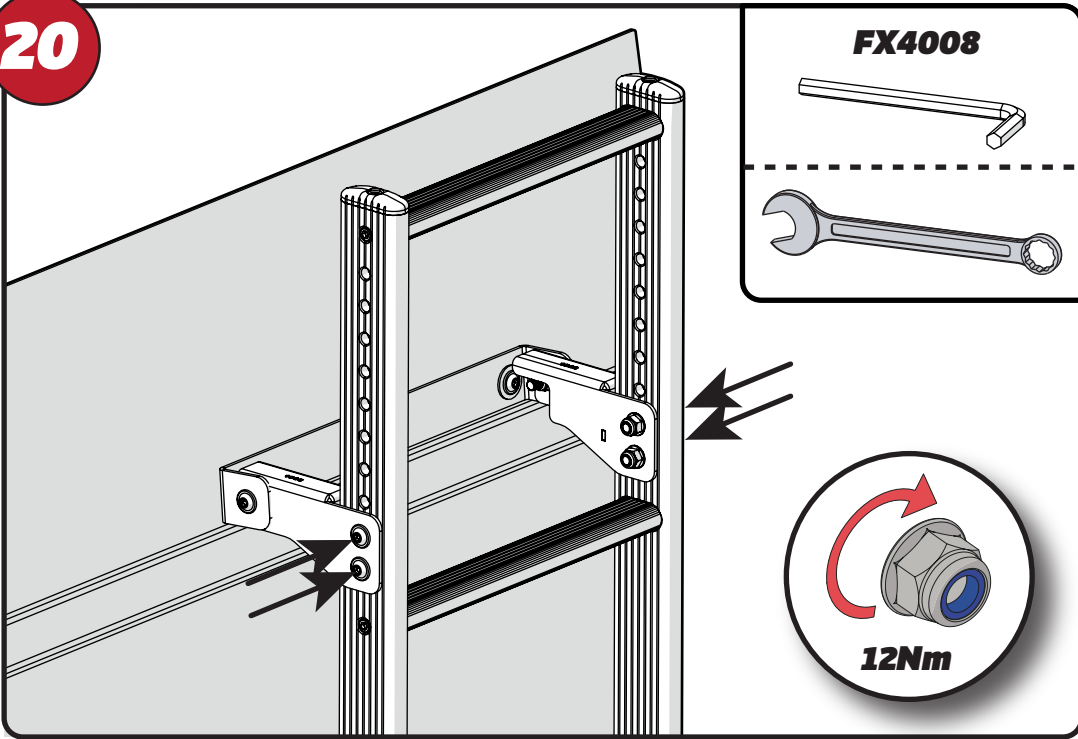
18



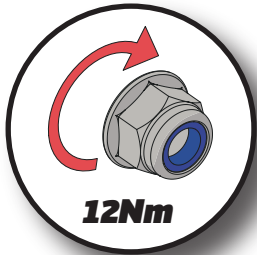
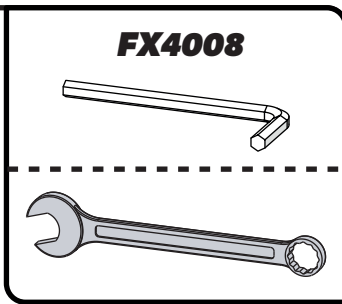
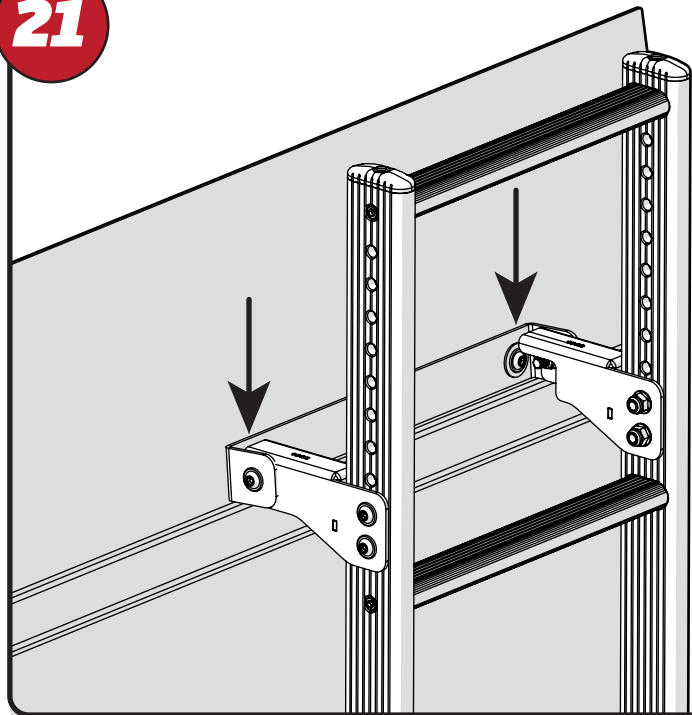
19



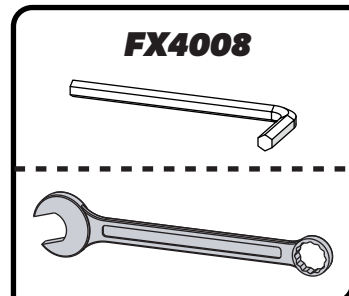
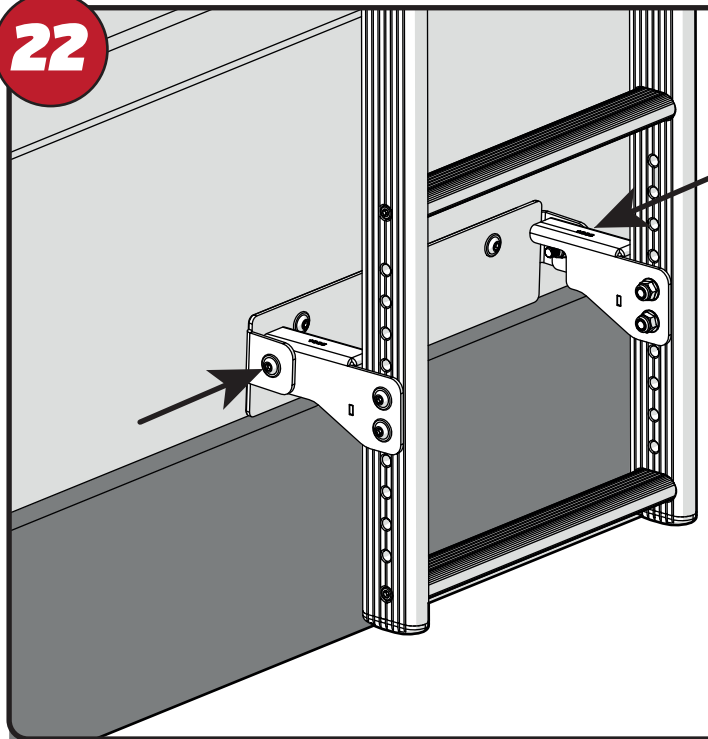
20



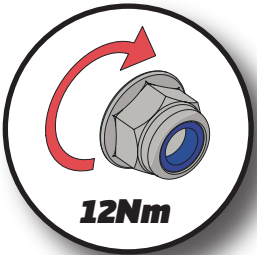
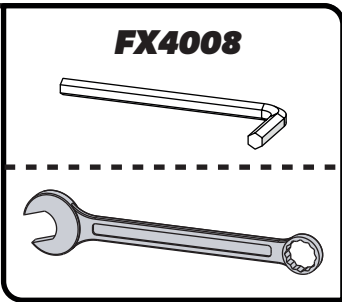
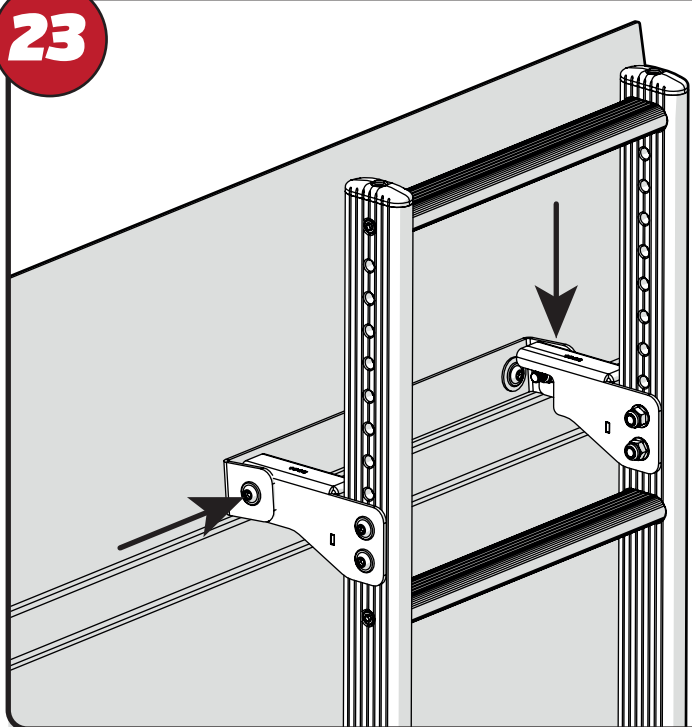
**21**



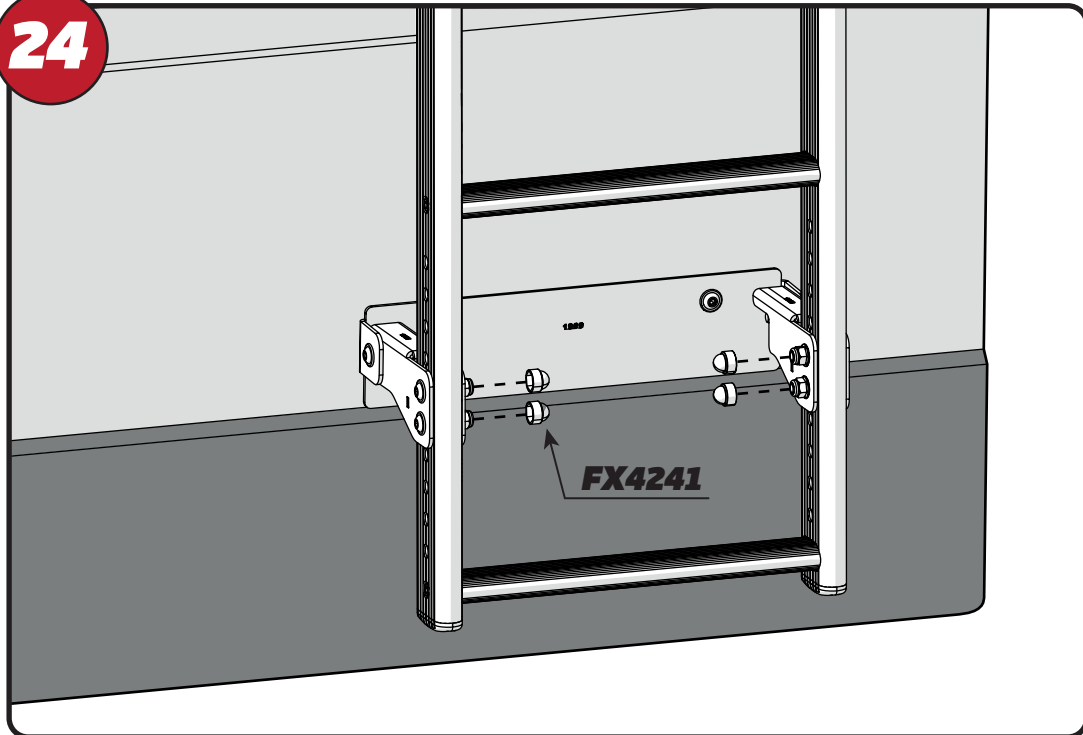
**22**



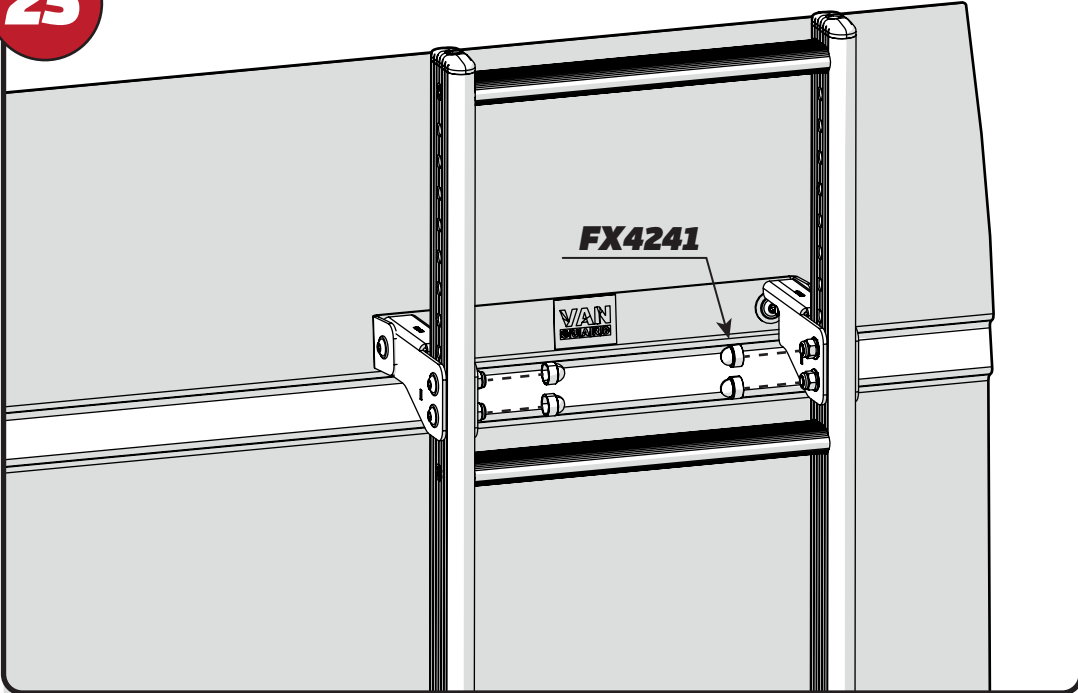
**23**



**24**



25



26

